



# 65 litre Round

LC Series

## Product Specifications

### Container

Product Code:	LC6500
Description:	65 Litre Round Container
Brimful Volume:	65.50 Litres
ISO Volume:	65.50 Litres
Tamper Evident:	No

### Material

Tub:	Polypropylene
Lid:	Polypropylene



### Weight

Tub:	1820 grams
Lid:	645 grams

### Performance

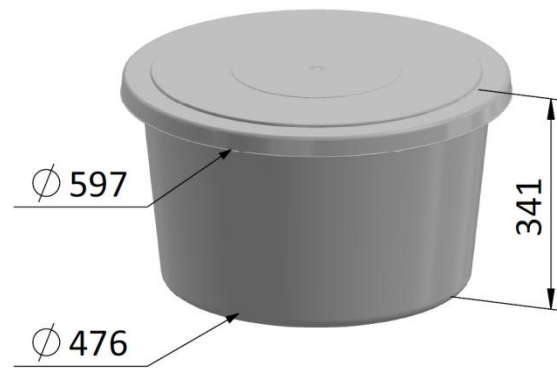
Storage Temperature:	0°C - 40°C*
Shelf Life:	Minimum 12 months
Static Load on bottom Pail:	Maximum 195 kg at 20°C
Suitable for Hot Filling:	Yes* (Above 70°C See note)
Suitable for Tinting:	No

### Compatibility

Some chemicals, and process parameters, can affect the integrity of the container. The buyer must undertake testing and approval for the container's suitability for the product and application.

### Regulatory

Raw materials used are REACH compliant, approved for food contact and meet FDA regulations.

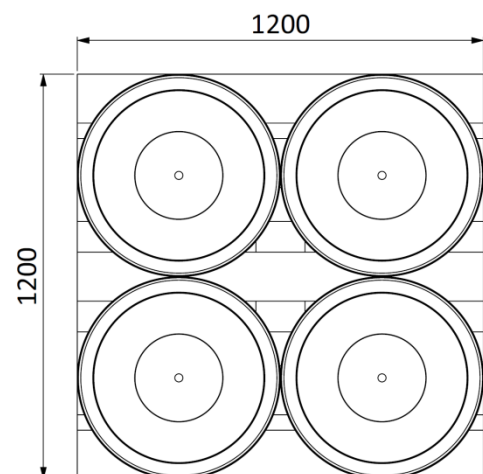


### Decoration

Tub IML:	Yes
Lid IML:	No
Colours:	White, others on request

### Palletisation

Lid Pallet Quantity:	252
Bucket Pallet Quantity(Empty):	232
Units per layer:	4
Bucket Pallet Quantity (Filled):	12



Standard tolerance of ±5%

\*Special blends and additives available for non standard conditions.

Specifications can be modified without notice; please contact your OnePlastics representative to ensure you have the most recent information.