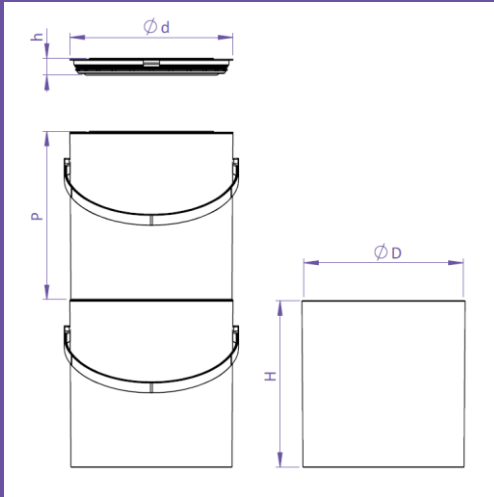


OnePlastics Group™
Moulding the future



COATING CONTAINERS CC SERIES

Technical Drawing



Features

- Patent registered designs.
- Skirt hugging handle for simple production.
- Perfect for retail market.
- Easy to open and use.
- IML Decoration available.
- Polypropylene lids and containers.
- Available with or without handle

Applications

- Coatings, adhesive

Decoration

IML options available on request.

Standard colour White, other colours available on request.

Recommendations

- Handling conditions vary from customer to customer; therefore we recommend validating your process (filling, conveying, warehousing, etc.) with specific testing.
- For optimal stacking stability, we recommend:
 - Using double-faced pallets with boards close together top & bottom; and
 - Releasing the air from the container when putting on the lid.
- Do not exceed pallet edges with pails.
- Stretch wrapping machine tension should be adjusted to pail.
- Use slip-sheet to improve pail stability if necessary.

Requirements

Some chemicals, and process parameters, can affect the integrity of the container. The buyer must undertake testing and approval for the container's suitability for the product and application.

Certification

Raw materials used are REACH compliant, approved for food contact and meet FDA regulations.





Pails

| Technical Specifications | | | | | | | | | | Packaging | | | |
|--------------------------|-------|-------|------------------|------|---------------------|----------------|---------|-----------------------|---------------------------------|---------------|-------|------------------------|-----------------|
| Model | D | H | Capacity (litre) | | Wall Thickness (mm) | Weight (grams) | Handle | Handle Weight (grams) | Pack-Out Per Layer ¹ | Palletisation | | Truckload ² | |
| | | | Brim | ISO | | | | | | Filled | Empty | IRL [†] | UK [‡] |
| CC0100 | 115.5 | 127.6 | 1.18 | 1.14 | 1.06 | 60.9 | n/a | n/a | 80 | 640 | 640 | 28,160 | 30,720 |
| CC0250-1 | 166.0 | 163.0 | 2.93 | 2.70 | 1.19 | 118.7 | Plastic | 7.1 | 42 | 294 | 294 | 12,348 | 13,524 |
| CC0250-2 | 156.0 | 160.0 | 2.85 | 2.60 | 1.20 | 131.1 | Plastic | 6.7 | 42 | 294 | 294 | 12,348 | 13,524 |
| CC0500-1 | 188.4 | 240.0 | 5.63 | 5.39 | 1.12 | 196.5 | Plastic | 7.9 | 32 | 160 | 160 | 6,880 | 7,360 |
| CC0500-2 | 180.0 | 234.0 | 5.68 | 5.30 | 1.40 | 215.1 | Plastic | 7.5 | 36 | 180 | 180 | 7,740 | 8,280 |

Lids

| Technical Specifications | | | | | Packaging | | |
|--------------------------|--------|--------|---------------------|----------------|---------------------|-------------|---------------|
| Model | d (mm) | l (mm) | Wall Thickness (mm) | Weight (grams) | Pack-Out Per Layer* | Qty per box | Palletisation |
| CCL0100 | 111.0 | 11.7 | 0.69 | 11.2 | 45 | 3825 | 7650 |
| CCL0250-1 | 165.5 | 16.1 | 1.20 | 39.6 | 24 | 1104 | 2208 |
| CCL0250-2 ⁴ | 155.0 | 15.3 | 1.00 | 25.0 | 24 | 1104 | 2208 |
| CCL0500-1 | 187.0 | 16.8 | 1.07 | 46.2 | 20 | 800 | 1600 |
| CCL0500-2 ⁴ | 180.0 | 18.9 | 1.20 | 56.25 | 20 | 800 | 1600 |



1: Based on Pallet (1000mm x 1200mm)

2: Truckload refers to the quantity of containers and includes equal amount of lids.

4: Also available with sealing Gasket.

† 48 Pallets per Truck (irl)

‡ 52 Pallets per Truck (uk)

Tolerances:

Dimensions: ± 1mm

Weights: ± 5%

www.oneplastics.com

Ireland Office: +353 (0) 21 435 5762

UK Office: +44 (0) 1827 314615