

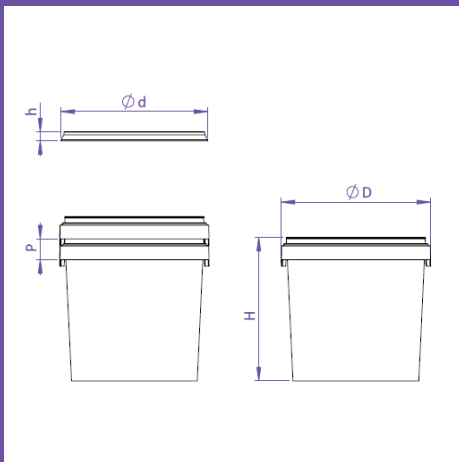
OnePlastics Group™

Moulding the future



DOUBLE LOCK CONTAINERS DL SERIES

Technical Drawing



Features

- Tamper evident security system.
- Skirt hugging handle for simple production
- Perfect for retail & Wholesale market.
- Easy to open and use.
- IML Decoration available.
- Polypropylene lids and containers.
- Available with or without handle

Applications

- Adhesives, Agri, Cereals, Cleaning Agents, Coatings, Condiments, Cosmetics, Dairy, Healthcare, Oils & Grease, Pharmaceuticals, Sand & Aggregates, Sauces, Savoury, Sweet

Decoration

IML options available on request.

Standard colour White, other colours available on request.

Recommendations

- Handling conditions vary from customer to customer; therefore we recommend validating your process (filling, conveying, warehousing, etc.) with specific testing.
- For optimal stacking stability, we recommend:
 - Using double-faced pallets with boards close together top & and bottom; and
 - Releasing the air from the container when putting on the lid.
- Do not exceed pallet edges with pails.
- Stretch wrapping machine tension should be adjusted to pail.
- Use slip-sheet to improve pail stability if necessary.

Requirements

Some chemicals, and process parameters, can affect the integrity of the container. The buyer must undertake testing and approval for the container's suitability for the product and application.

Certification

Raw materials used are REACH compliant, approved for food contact and meet FDA regulations.





Pails														
Technical Specifications										Packaging				
Model	D (mm)	H (mm)	P (mm)	Capacity (litres)		Wall Thickness (mm)	Weight (grams)	Handle	Handle Weight (grams)	Pack-Out Per Layer ¹	Palletisation		Truckload ²	
				Brim	ISO						Filled	Empty	IRL†	UK‡
DL0250	196.0	135.5	25.6	3.35	3.14	0.97	105.0	Plastic/Metal	5.0/22.0	30	210	1,230	49,200	52,890
DL0300	196.0	161.0	25.6	3.89	3.68	0.81	104.5	Plastic/Metal	5.0/22.0	30	210	1,230	46,800	50,310
DL0500	224.0	204.0	26.5	6.25	5.92	0.92	159.5	Plastic/Metal	7.1/31.2	20	120	740	29,600	31,820
DL0600	224.0	225.0	26.5	6.79	6.46	0.84	161.7	Plastic/Metal	7.1/31.2	20	100	600	24,000	25,800
DL0750	270.1	196.0	28.0	9.09	8.59	0.90	200.4	Plastic/Metal	7.9/34.7	15	75	525	21,000	23,100
DL1000	291.8	224.0	33.5	11.70	11.15	1.30	310.0	Plastic/Metal	8.9/39.0	13	65	390	15,600	16,770

Lids						
Technical Specifications					Packaging	
Model	d (mm)	h (mm)	Wall Thickness (mm)	Weight (grams)	Pack-Out Per Layer*	Palletisation**
DLL0250	194.20	10.75	0.81	32.0	30	4,200
DLL0500	221.75	12.00	0.82	42.2	22	2,860
DLL0750	266.25	11.65	0.93	65.1	24	2,016
DLL1000	283.20	14.40	1.12	91.0	12	1,080



1: Based on Pallet (1000mm x 1200mm)
 2: Truckload refers to the quantity of containers and includes equal amount of lids.
 † 48 Pallets per Truck
 ‡ 52 Pallets per Truck

Tolerances:
 Dimensions: ± 1mm
 Weights: ± 5%

www.oneplastics.com

Ireland Office: +353 (0) 21 435 5762

UK Office: +44 (0) 1827 314615