



280ml Round Container

FR Series

Product Specifications

Container

| | |
|-----------------|-----------------------|
| Product Code: | FR0280 |
| Description: | 280ml Round Container |
| Brimful Volume: | 346 ml |
| ISO Volume: | 318 ml |
| Tamper Evident: | Yes |

Material



| | |
|------|---------------|
| Tub: | Polypropylene |
| Lid: | Polypropylene |

Weight

| | |
|------|----------|
| Tub: | 25 grams |
| Lid: | 4 grams |

Performance

| | |
|-----------------------------|----------------------------|
| Storage Temperature: | 0°C - 40°C* |
| Shelf Life: | Minimum 12 months |
| Static Load on bottom Pail: | Maximum 8 kg at 20°C |
| Suitable for Hot Filling: | Yes* (Above 70°C See note) |
| Suitable for Tinting: | No |

Compatibility

Some chemicals, and process parameters, can affect the integrity of the container. The buyer must undertake testing and approval for the container's suitability for the product and application.

Regulatory

Raw materials used are REACH compliant, approved for food contact and meet FDA regulations.

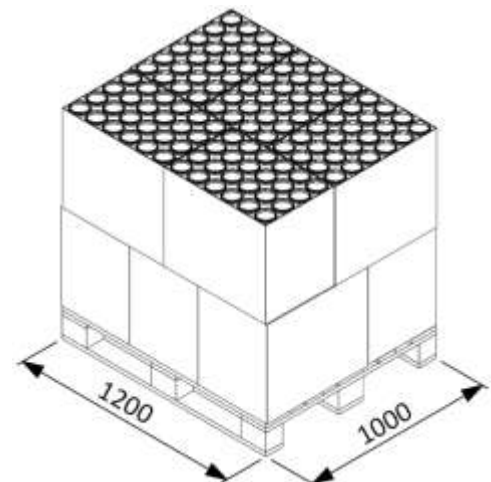


Decoration

| | |
|----------|---------------------------------|
| Tub IML: | Yes |
| Lid IML: | Yes |
| Colours: | White, Clear, others on request |

Palletisation

| | |
|----------------------------------|-------|
| Lid Pallet Quantity: | 35280 |
| Bucket Pallet Quantity(Empty): | 7260 |
| Units per layer: | 120 |
| Bucket Pallet Quantity (Filled): | 2160 |



Standard tolerance of ±5%

*Special blends and additives available for non standard conditions.

Specifications can be modified without notice; please contact your OnePlastics representative to ensure you have the most recent information.