



520ml Round Container

FR Series

Product Specifications

Container

Product Code:	FR0520
Description:	520 ml Round Container
Brimful Volume:	561 ml
ISO Volume:	533 ml
Tamper Evident:	Yes

Material



Tub:	Polypropylene
Lid:	Polypropylene

Weight

Tub:	17 grams
Lid:	4 grams

Performance

Storage Temperature:	0°C - 40°C*
Shelf Life:	Minimum 12 months
Static Load on bottom Pail:	Maximum 8 kg at 20°C
Suitable for Hot Filling:	Yes* (Above 70°C See note)
Suitable for Tinting:	No

Compatibility

Some chemicals, and process parameters, can affect the integrity of the container. The buyer must undertake testing and approval for the container's suitability for the product and application.

Regulatory

Raw materials used are REACH compliant, approved for food contact and meet FDA regulations.

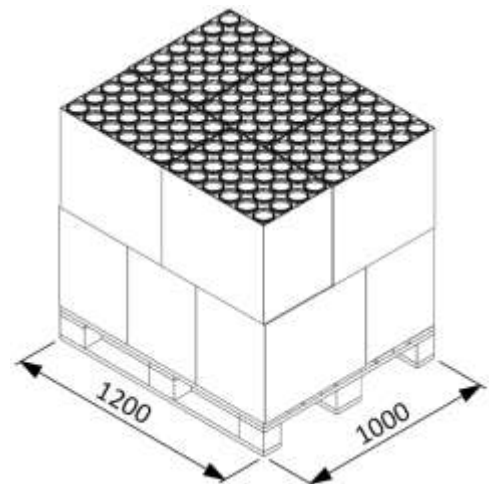


Decoration

Tub IML:	Yes
Lid IML:	Yes
Colours:	White, Clear, others on request

Palletisation

Lid Pallet Quantity:	35280
Bucket Pallet Quantity(Empty):	6720
Units per layer:	120
Bucket Pallet Quantity (Filled):	1200



Standard tolerance of ±5%

*Special blends and additives available for non standard conditions.

Specifications can be modified without notice; please contact your OnePlastics representative to ensure you have the most recent information.