



# 2 Litre Square Container

FS Series

## Product Specifications

### Container

Product Code:	FS2000
Description:	2 Litre Square Container
Brimful Volume:	2.30 Litres
ISO Volume:	2.16 Litres
Tamper Evident:	Yes

### Material



Tub:	Polypropylene
Lid:	Polypropylene

### Weight

Tub:	58 grams
Lid:	22 grams

### Performance

Storage Temperature:	0°C - 40°C*
Shelf Life:	Minimum 12 months
Static Load on bottom Pail:	Maximum 39 kg at 20°C
Suitable for Hot Filling:	Yes* (Above 70°C See note)
Suitable for Tinting:	No

### Compatibility

Some chemicals, and process parameters, can affect the integrity of the container. The buyer must undertake testing and approval for the container's suitability for the product and application.

### Regulatory

Raw materials used are REACH compliant, approved for food contact and meet FDA regulations.

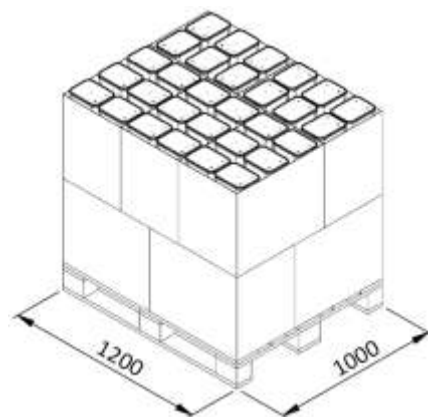


### Decoration

Tub IML:	Yes (3 sides)
Lid IML:	Yes
Colours:	White, others on request

### Palletisation

Lid Pallet Quantity:	9072
Bucket Pallet Quantity(Empty):	1800
Units per layer on a pallet:	36
Units per layer in a carton box:	30
Bucket Pallet Quantity (Filled):	468



Standard tolerance of ±5%

\*Special blends and additives available for non standard conditions.

Specifications can be modified without notice; please contact your OnePlastics representative to ensure you have the most recent information.