

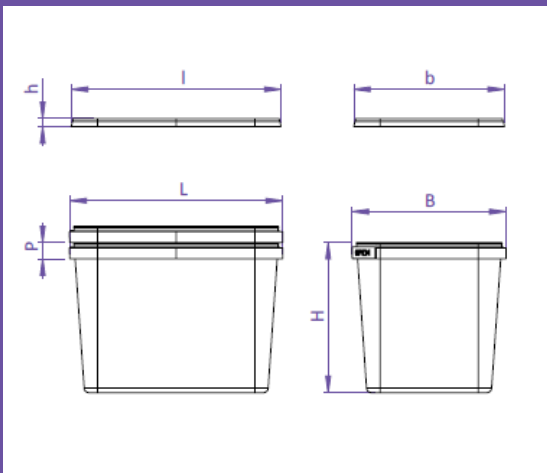
OnePlastics Group™

Moulding the future



FOOD SQUARE CONTAINERS FS SERIES

Technical Drawing



Features

- Tamper evident security system.
- Perfect for retail markets.
- Easy to open and use.
- IML Decoration available.
- Polypropylene lids and containers.

Applications

- Cereals, Condiments, Dairy, Sauces, Savoury, Sweet

Decoration

IML options available on request.

Standard colour Clear, other colours available on request.

Recommendations

- Handling conditions vary from customer to customer; therefore we recommend validating your process (filling, conveying, warehousing, etc.) with specific testing.
- For optimal stacking stability, we recommend:
 - Using double-faced pallets with boards close together top & bottom; and
 - Releasing the air from the container when putting on the lid.
- Do not exceed pallet edges with pails.
- Stretch wrapping machine tension should be adjusted to pail.
- Use slip-sheet to improve pail stability if necessary.

Requirements

Some chemicals, and process parameters, can affect the integrity of the container. The buyer must undertake testing and approval for the container's suitability for the product and application.

Certification

Raw materials used are REACH compliant, approved for food contact and meet FDA regulations.





Pails

Technical Specifications

Packaging

Model	L (mm)	B (mm)	H (mm)	P (mm)	Capacity (litre)		Wall Thickness (mm)	Weight (grams)	Handle	Handle Weight	Pack- Out Per Layer ¹	Palletisation ²		Truck ³	
					Brim	ISO						Filled	Empty	IRL†	UK‡
FS1000	191.0	129.0	73.0	11.6	1.40	1.27	0.50	29.6	N/A	N/A	64	810	3,520	133,760	137,280
FS2000	196.0	153.0	96.0	17.4	2.30	2.16	0.76	58.3	N/A	N/A	36	468	1,800	72,000	738,000
FS4000	227.0	163.0	151.0	23.0	4.32	4.07	0.60	71.5	N/A	N/A	30	240	900	36,000	36,900

Lids

Technical Specification

Packaging

Model	l (mm)	b (mm)	h (mm)	Wall Thickness (mm)	Weight (grams)	Pack-Out Per Layer ¹	Palletisation ²
FSL2000	192.7	147.7	5.75	0.7	21.3	36	9,072
FSL4000	226.9	163.9	10.20	0.7	29.6	30	4,500



- 1: Based on Pallet (1000mm x 1200mm)
- 2: Based on pallet height of 1300mm
- 3: Truckload refers to the quantity of containers and includes equal amount of lids.
- † 48 Pallets per Truck (irl)
- ‡ 52 Pallets per Truck (uk)

Tolerances:
Dimensions: ± 1mm
Weights: ± 5%

www.oneplastics.com

Ireland Office: +353 (0) 21 435 5762

UK Office: +44 (0) 1827 314615