

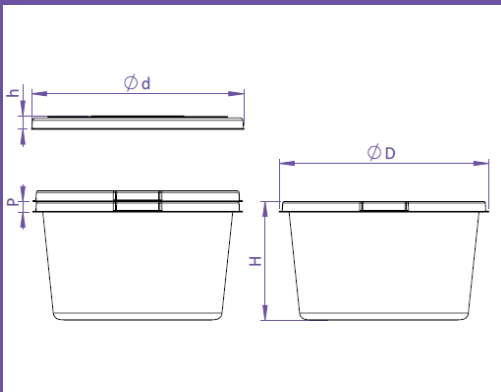
OnePlastics Group™

Moulding the future



LARGE ROUND CONTAINERS LC SERIES

Technical Drawing



Features

- Perfect for wholesale & retail markets.
- Easy to open and use.
- IML Decoration available.
- Polypropylene lids and containers.
- Available with or without handle

Applications

- Adhesives, Agri, Cereals, Cleaning Agents, Coatings, Condiments, Cosmetics, Dairy, Healthcare, Oils & Grease, Pharmaceuticals, Sand & Aggregates, Sauces, Savoury, Sweet

Decoration

IML options available on request.

Standard colour white, others available on request.

Recommendations

- Handling conditions vary from customer to customer; therefore we recommend validating your process (filling, conveying, warehousing, etc.) with specific testing.
- For optimal stacking stability, we recommend:
 - Using double-faced pallets with boards close together top & bottom; and
 - Releasing the air from the container when putting on the lid.
- Do not exceed pallet edges with pails.
- Stretch wrapping machine tension should be adjusted to pail.
- Use slip-sheet to improve pail stability if necessary.

Requirements

Some chemicals, and process parameters, can affect the integrity of the container. The buyer must undertake testing and approval for the container's suitability for the product and application.

Certification

Raw materials used are REACH compliant, approved for food contact and meet FDA regulations.





Pails

Technical Specifications									Packaging				
Model	D (mm)	H (mm)	P (mm)	Capacity (Litre)		Wall Thickness (mm)	Weight (grams)	Handle	Pack-Out Per Layer ¹	Palletisation		Truckload ²	
				Brim	Lid					Filled	Empty	IRL†	UK‡
LC2200	380.0	257.0	30.0	23.5	22.0	1.5	597.0	n/a	8	40	240	9,120	9,840
LC3000	423.0	282.0	61.0	34.7	31.7	2.3	1107.0	n/a	6	30	66	2,508	2,706
LC6500	597.0	341.0	30.0	65.5	65.50	2.5	1820.0	n/a	4	12	232	5,800	6,264

Lids

Technical Specifications					Packaging	
Model	d (mm)	h (mm)	Wall Thickness (mm)	Weight (grams)	Pack-Out Per Layer ¹	Palletisation
LCL2200	360.0	18.0	1.6	222.8	8	720
LCL3000	434.0	27.5	2.0	366.0	5	250
LCL6500	600.0	38.0	2.0	645.0	4	252



1: Based on Pallet (1000mm x 1200mm)

2: Truckload refers to the quantity of containers and includes equal amount of lids.

† 48 Pallets per Truck

‡ 52 Pallets per Truck

Tolerances:

Dimensions: ± 2mm

Weights: ± 5%

www.oneplastics.com

Ireland Office: +353 (0) 21 435 5762

UK Office: +44 (0) 1827 314615