

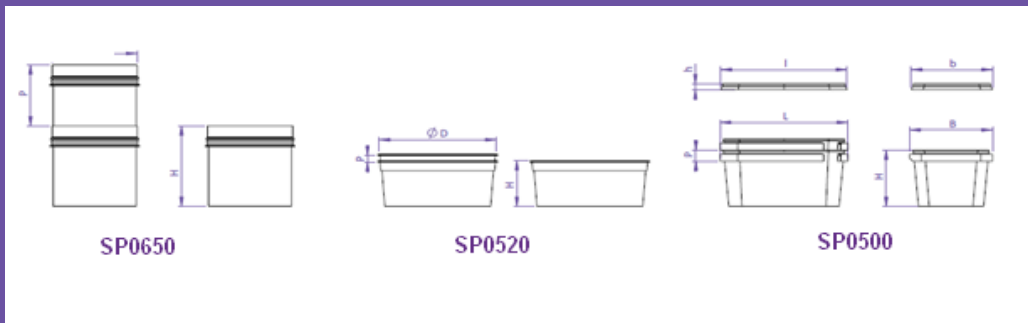
**OnePlastics Group™**

*Moulding the future*



## SPECIAL CONTAINERS SP SERIES

### Technical Drawing



### Applications

Adhesives, Agri, Cereals, Cleaning Agents, Coatings, Condiments, Cosmetics, Dairy, Healthcare, Oils & Grease, Pharmaceuticals, Sand & Aggregates, Sauces, Savoury, Sweet

### Decoration

IML options available on request.

Standard colour White, others available on request.

### Recommendations

- Handling conditions vary from customer to customer; therefore we recommend validating your process (filling, conveying, warehousing, etc.) with specific testing.
- For optimal stacking stability, we recommend:
  - Using double-faced pallets with boards close together top & and bottom; and
  - Releasing the air from the container when putting on the lid.
- Do not exceed pallet edges with pails.
- Stretch wrapping machine tension should be adjusted to pail.
- Use slip-sheet to improve pail stability if necessary.

### Requirements

Some chemicals, and process parameters, can affect the integrity of the container. The buyer must undertake testing and approval for the container's suitability for the product and application.

### Certification

Raw materials used are REACH compliant, approved for food contact and meet FDA regulations.



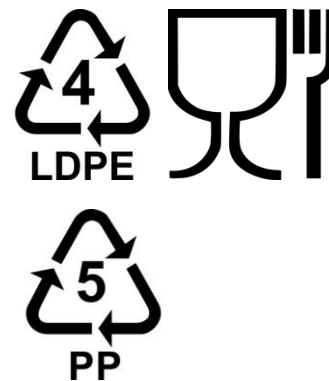


## Pails

Technical Specifications										Packaging				
Round	D (mm)	H (mm)	P (mm)	Capacity (ml)		Wall Thickness (mm)	Weight (grams)	Handle	Pack-Out Per Layer <sup>1</sup>	Palletisation		Truckload <sup>2</sup>		
				Brim	ISO					Filled	Empty	IRL†	UK‡	
SP0520	140.0	60.0	8.8	650.0	540.0	0.6	25.0	N/a	56	1,176	6,144	159,744	172,032	
SP0650	103.0	107.0	80.7	700.0	700.0	1.2	46.0	N/a	105	1,260	1,260	45,360	49,140	
Oval	L (mm)	B (mm)	H (mm)	P (mm)	Brim	ISO	Wall Thickness (mm)	Weight (grams)	Handle	Pack-Out Per Layer <sup>1</sup>	Palletisation		Truckload <sup>2</sup>	
										Filled	Empty			
SP0500	146.0	95.0	74.0	14.6	603.0	575.0	0.5	22.0	N/a	80	1,120	4,800	192,000	196,800

## Lids

Technical Specification						Packaging		
Model	d (mm)	h (mm)	Wall Thickness (mm)	Weight (grams)	Pack-Out Per Layer <sup>1</sup>	QTY per Box	Palletisation	
SPL0520	141.0	10.0	0.6	13.0	56	424	7,632	
SPL0650	104.8	20.8	1.5	30.0	105	252	3,780	
Model	l (mm)	b (mm)	h (mm)	Wall Thickness (mm)	Weight (grams)	Pack-Out Per Layer <sup>1</sup>	QTY per Box	Palletisation
SPL0500	143.1	92.0	17.2	0.55	8.0	64	2,208	24,000



1: Based on Pallet (1000mm x 1200mm)

2: Truckload refers to the quantity of containers and includes equal amount of lids.

† 48 Pallets per Truck

‡ 52 Pallets per Truck

### Tolerances:

Dimensions: ± 1mm

Weights: ± 5%